

PRODUCT SHEET

SCRITTO® Business card holders

■ BROCHURE & LEAFLET HOLDERS > COUNTER



SCRITTO® Business card holders

Business card holders made from clear polystyrene. Available in single and multiple formats for counter use.

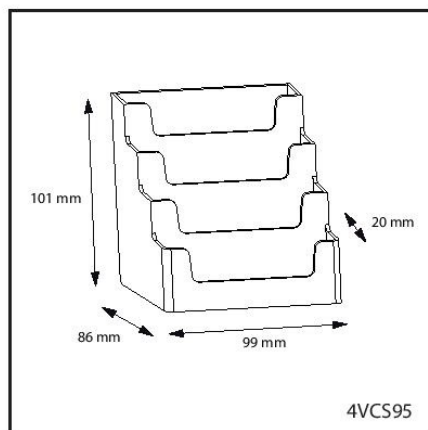
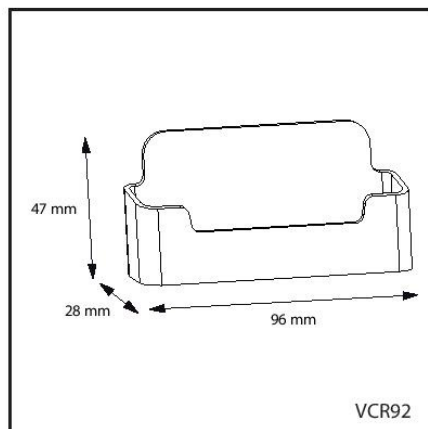
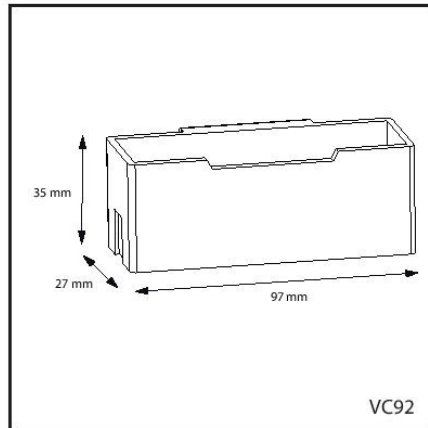
SCRITTO® Visitenkartenhalter

Spritzguss Visitenkartenständer aus glasklarem Polystyrol. Wir bieten verschiedene Ausführungen als Tischaufsteller.

PRODUCT SHEET

SCRITTO® Business card holders

■ BROCHURE & LEAFLET HOLDERS > COUNTER



PRODUCT SHEET

SCRITTO® Business card holders

 BROCHURE & LEAFLET HOLDERS > COUNTER

ARTICLE CODE	EAN / GTIN	CAPACITY	SIZE (A x B x C)	NET WEIGHT	PACKING QUANTITY
ARTIKELCODE	EAN / GTIN	KAPAZITÄT	GRÖÖE (A x B x C)	NETTO GEWICHT	VERPACKUNGS- EINHEIT
VC92	8595578367935	93 x 50 mm	96 x 47 x 28 mm	0,3 kg	400
VCR92	8595578367911	93 x 50 mm	97 x 35 x 27 mm	0,2 kg	600
4VCS95	8595578367928	4x 93 x 50 mm	99 x 101 x 86 mm	0,8 kg	240

ARTICLE CODE	PACKING SIZE	PACKING WEIGHT	PACKING / PALLET	WEIGHT OF PALLET	VOLUMETRIC WEIGHT	BELT SIZE	SHIPPING
ARTIKELCODE	PACKUNGS- GRÖÖE	PACKUNGS- GEWICHT	VPE / PALETTE	PALETTEN- GEWICHT	VOLUMEN- GEWICHT	GÜRTEL	VERSANDART
VC92	450 x 450 x 450 mm	17,20 kg	8	158 kg	18,23 kg	2250 mm	UPS
VCR92	460 x 350 x 580 mm	16,40 kg	10	283 kg	18,68 kg	2430 mm	UPS
4VCS95	670 x 520 x 590 mm	27,00 kg	6	182 kg	41,11 kg	3040 mm	UPS